

Accessories

Pitch





Accessories

Pitch

FEATURES

The Pitch mobile board can be used for presentations, space dividing or to create your own meeting room quickly and easily

Dimensions

Overall size: 1200W x 1800 - 2000H x 445D
Custom sizes available

Options

Whiteboard Double Sided, Pinboard Double Sided,
Whiteboard/Pinboard

Plywood or MDF with LPL construction

Whiteboard: Magnetic AR Plus Crystal White laminate

Pinboard: 12mm Autex Cube, Echo panel, Ecooustic or 6mm cork board

Accessories

Pen/accessory holder

2x 30dia dowel hooks for Visual mobile boards (VMB)

Locking castors

Please note: Vidak recommends the following whiteboard marker brands and cleaners for use with Vidak whiteboards:

- OPD Officeware - dry erase marker
- BIC Stephens - erasable dry wipe marker
- Quartet extra strength whiteboard cleaner
- Microfibre cloth for cleaning

100% New Zealand made

5 year warranty

6 week lead time



PITCH-WP (whiteboard/pinboard)
PITCH-WW (whiteboard/whiteboard)

Pitch - mobile whiteboard/pinboard



Pitch - Optional pen and duster holder

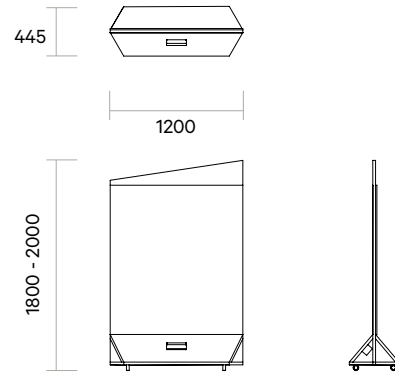
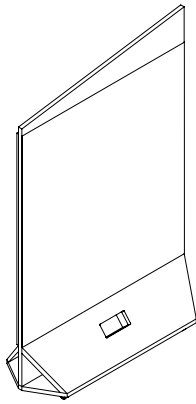


Pitch - used to divide and provide visual and acoustic privacy

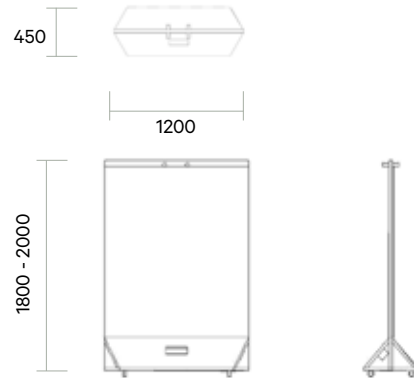
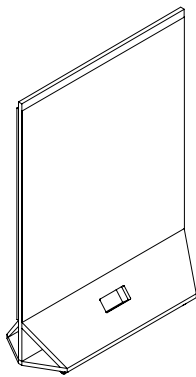


Accessories

Pitch



Pitch dimensions



Pitch VMB dimensions



Pitch VMB Whiteboard - with dowels for hanging boards



Pitch VMB Whiteboard - used to divide and provide visual and acoustic privacy



vidak.co.nz



Auckland

66 Lady Ruby Drive
East Tamaki, Auckland 2013
PO Box 58820 Botany
Auckland 2163
New Zealand

T +64 9 273 0033
F +64 9 273 0032

E sales@vidak.co.nz

Wellington

303 Willis Street
Te Aro, Wellington 6011
PO Box 9171
Wellington 6011
New Zealand

T +64 4 802 4615
F +64 4 802 4659

E sales@vidak.co.nz

