

Screens

Screenliner



Screenliner is an all-in-one screen and personal storage unit with built-in power and inductive charging facilities as well as concealed power management.

Inspired by aeronautical and automotive interior design, the clean aesthetic of the formed PET screen and injection moulded ABS console eliminates the clutter of traditional solutions.





Screens

Screenliner

FEATURES

With two sizes and optional modesty panel, Screenliner provides privacy, acoustic screening, ambient lighting and easily-accessible storage in one sleek product.

Above desk -

Screenliner: 1360L x 310D x 600H

Compact Screenliner: 700L x 280D x 450H

Accommodates up to 2 x 25" display monitors

Below desk -

Modesty Panel: 1270L x 95D x 325H (150D brackets)

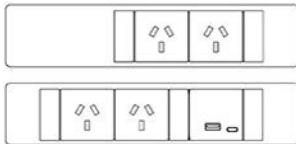
Cable management cover: 1265W x 220D x 325H

Moulded PET screen in Light Grey, Dark Grey or Oatmeal



Console: Injection-moulded ABS plastic in soft touch Black matte finish in Black and Dark Grey tones with brushed Satin Nickel finish aluminium extrusion

Console Power: 2x power outlets OR 2x power outlets and 2x USB (1x USB-A + 1x USB-C)



Cable gutter in powdercoated matt black or mild steel
Built-in wireless charging

Below desk power: 6 power outlets and integrated umbilical cable with optional power and data segregation

Accessories include: Headphone hanger, glasses holder, way-finding ID badge, ambient LED back lighting.

5 year warranty excluding electronic components

8-10 week lead time



Screenliner + Console



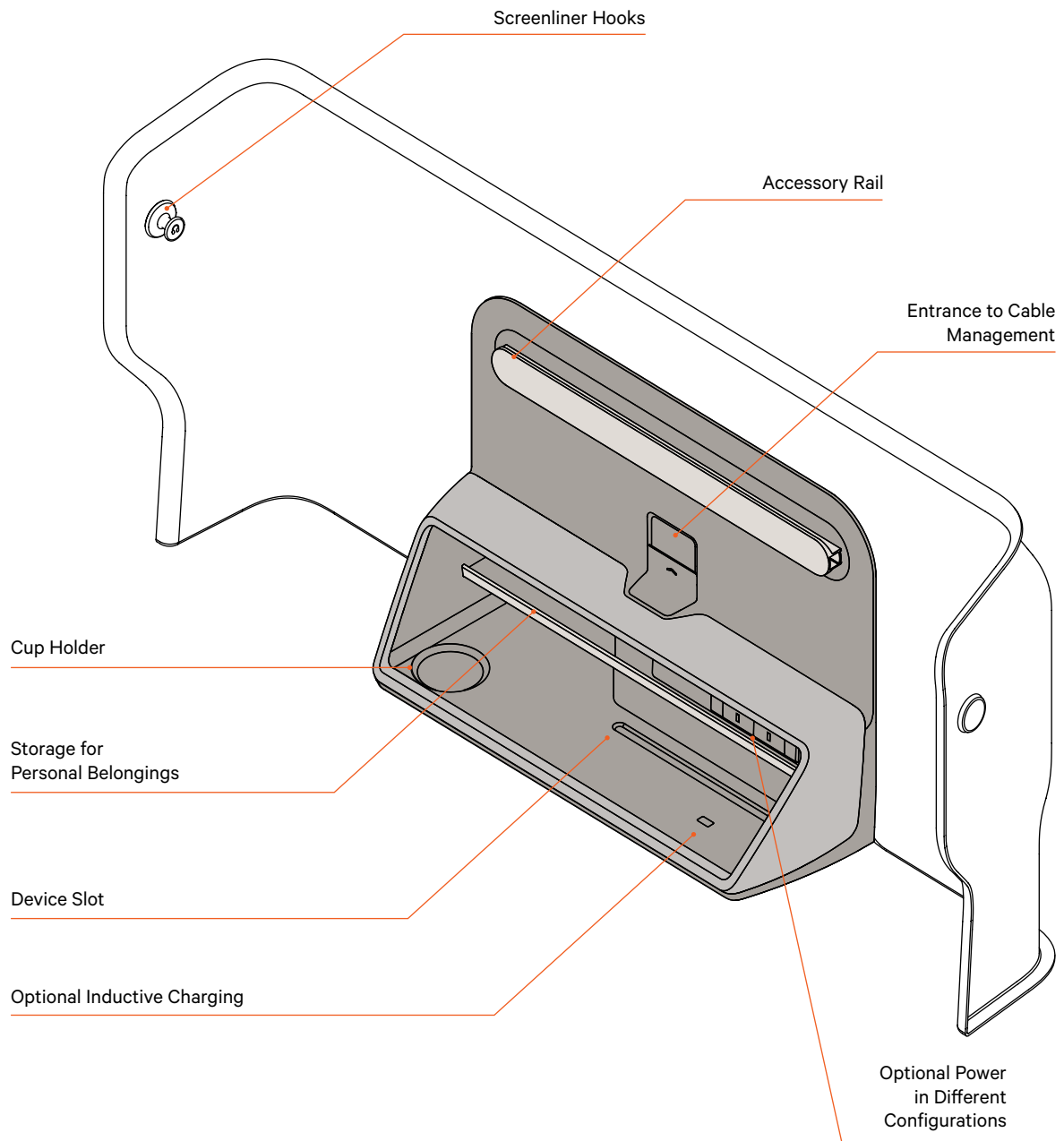
Screenliner + Console with modesty screen



Compact Screenliner

Screens

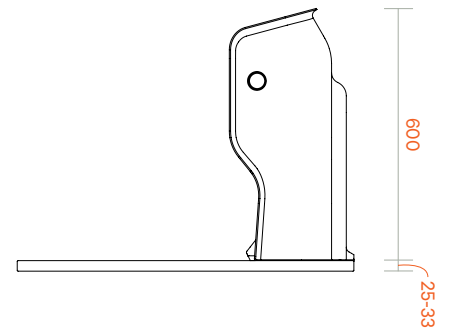
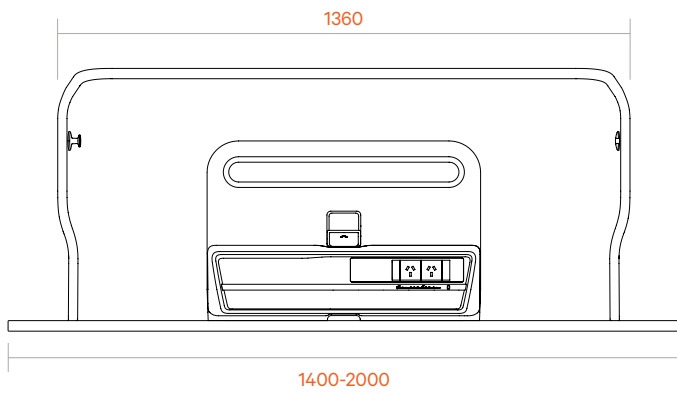
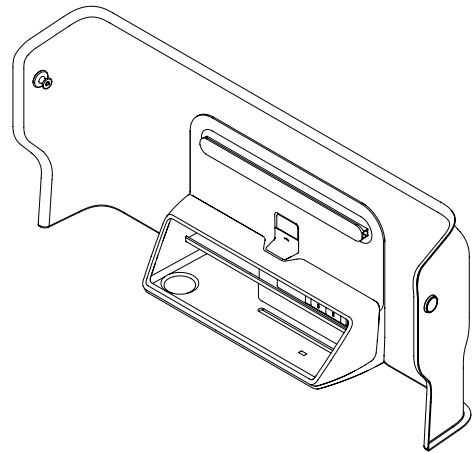
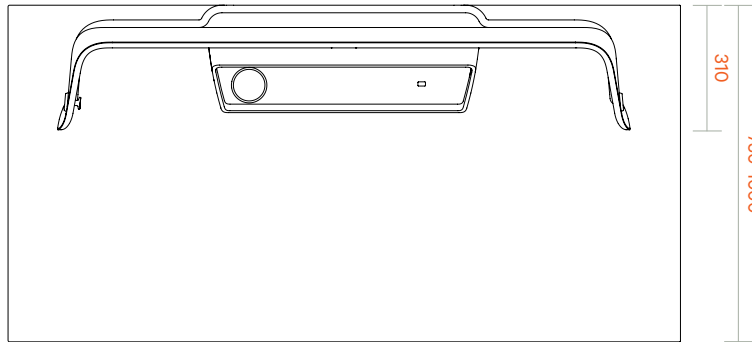
Screenliner



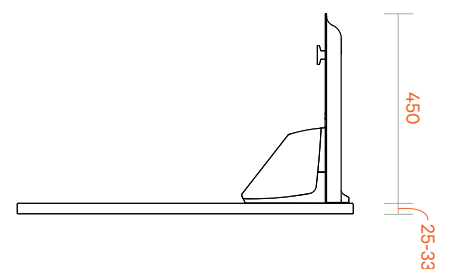
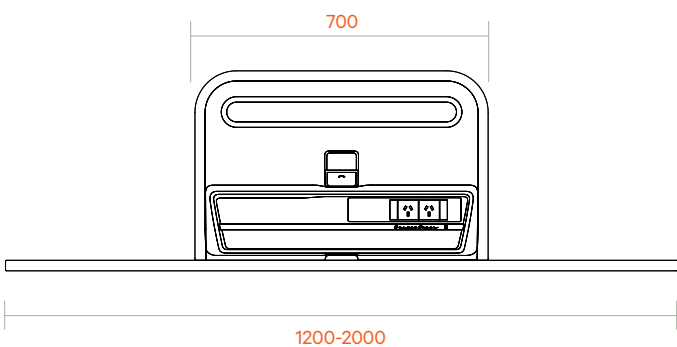
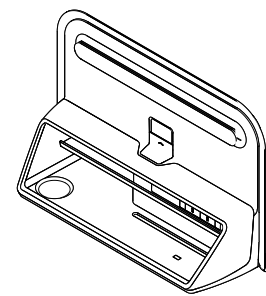
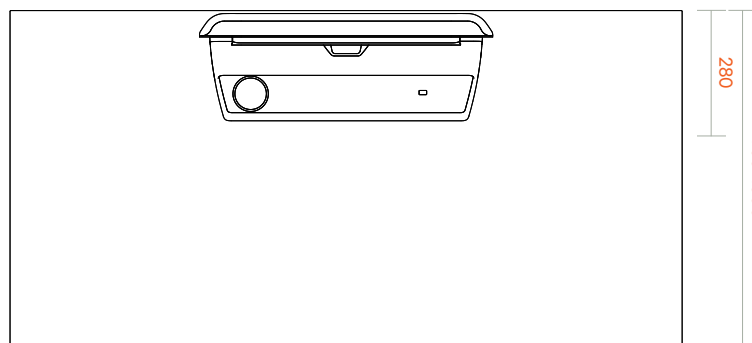
Screens

Screenliner

Specifications



Screenliner + Console

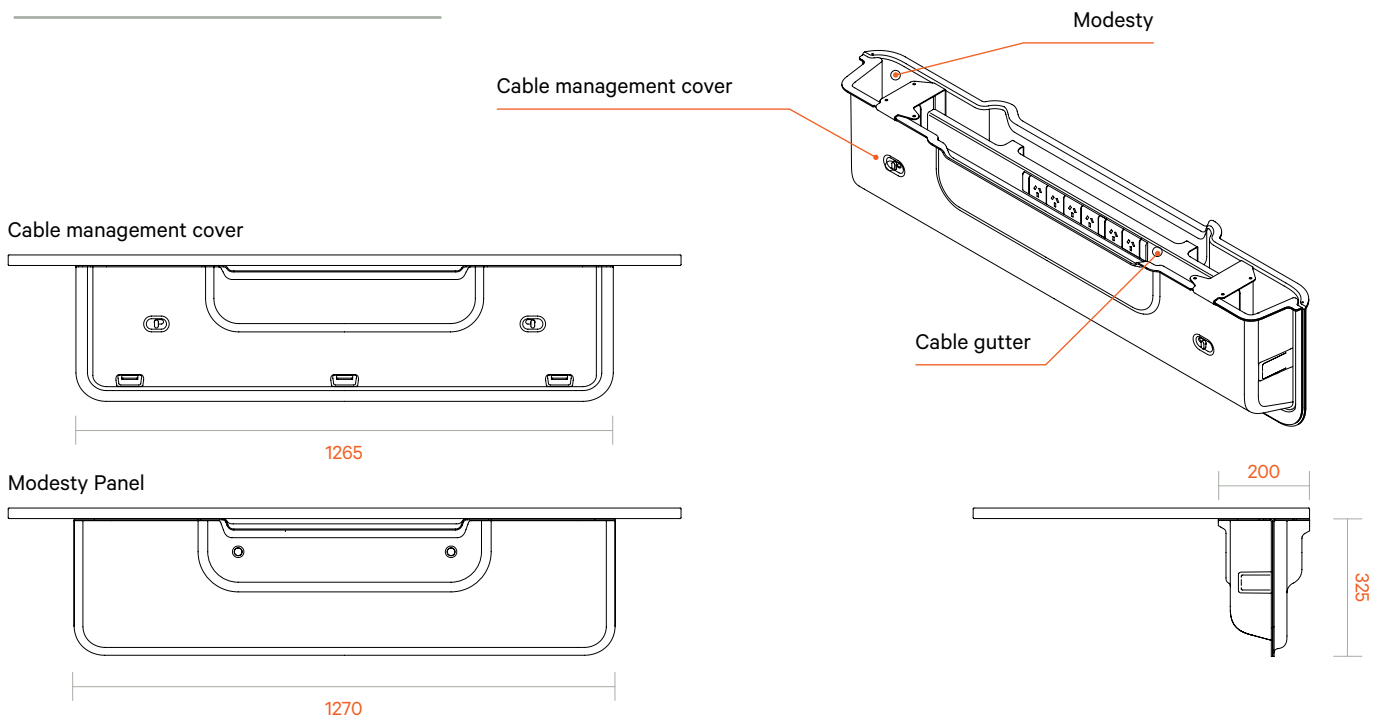


Compact Screenliner

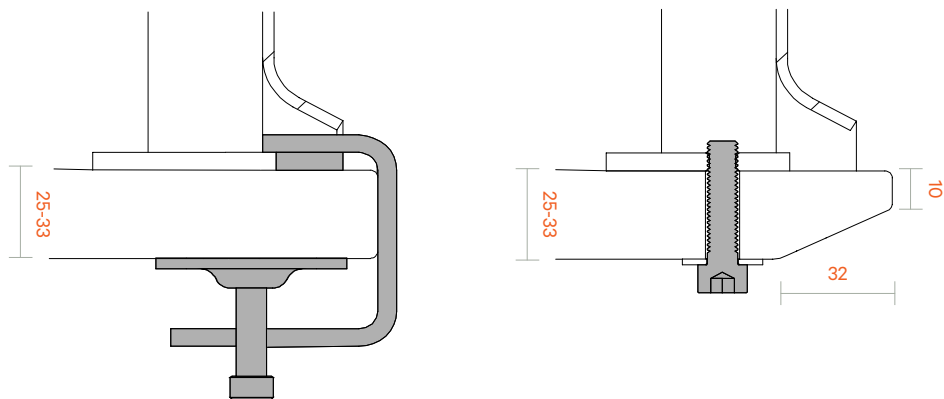
Screens

Screenliner

Specifications



Modesty panel + cable management



Standard desk clamp option.

Optional Bolt Through fixing for shark-nose desks.

Fixing Options

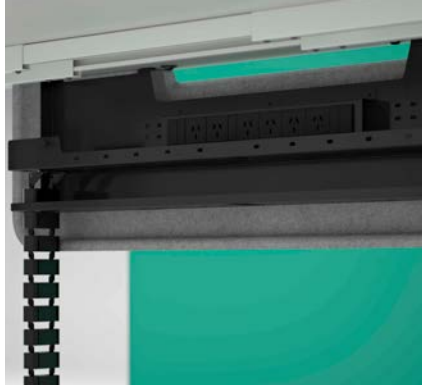
Screens

Screenliner

Accessories



**Wireless charging +
desktop power outlet**



**6 power outlets + integrated cable
management including umbilical**



**Accommodates up to 2x 25" display
monitors**



Headphone hanger



Way finding ID badge



LED ambient back lighting



[vidak.co.nz](https://www.vidak.co.nz)



Screenliner

Auckland

66 Lady Ruby Drive
East Tamaki, Auckland 2013
PO Box 58820 Botany
Auckland 2163
New Zealand

T +64 9 273 0033
F +64 9 273 0032

E sales@vidak.co.nz

Wellington

303 Willis Street
Te Aro, Wellington 6011
PO Box 9171
Wellington 6011
New Zealand

T +64 4 802 4615
F +64 4 802 4659

E sales@vidak.co.nz

